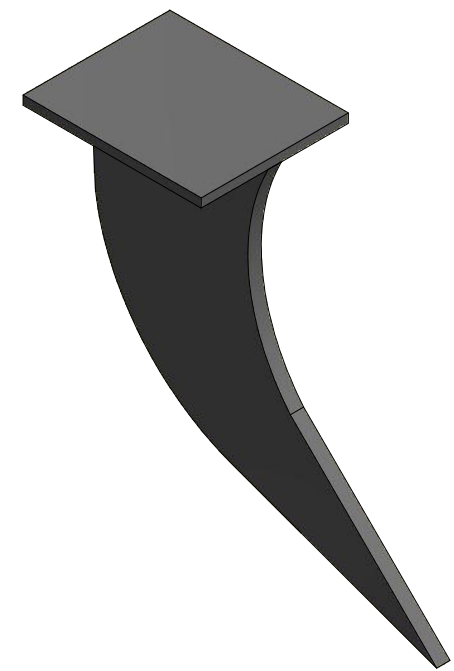
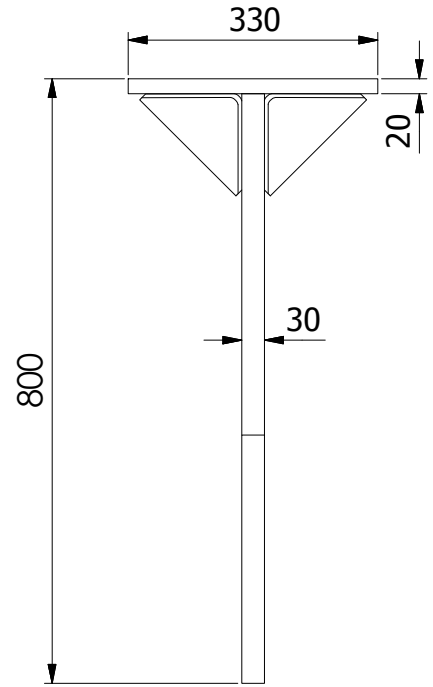
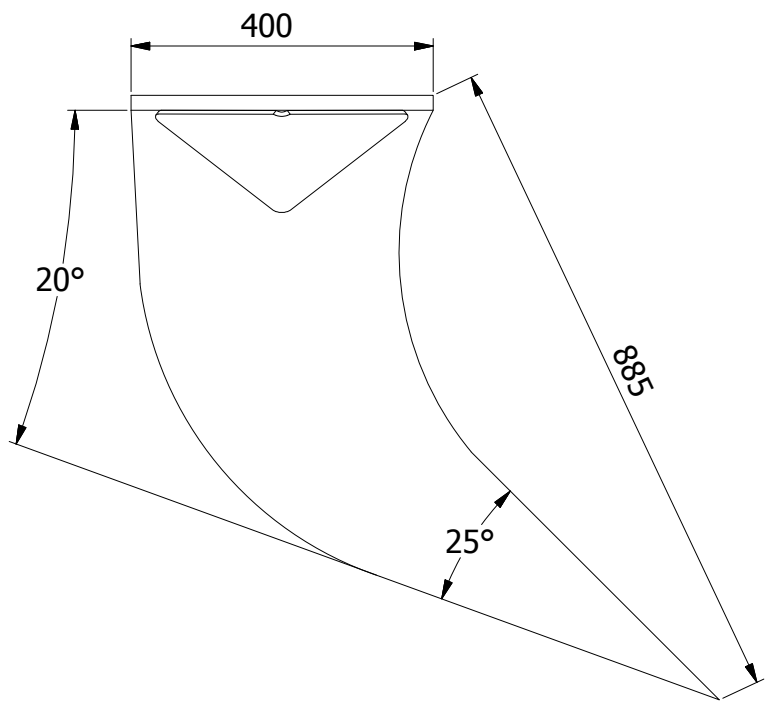


8 7 6 5 4 3 2 1

D D



C C

B B

A

| MATERIAL SPECIFICATION | |
|------------------------|--|
| ST52.3 | |
| EN8D | |
| HB 400 | |
| HB 450 | |
| CASALLOY STEEL | |

8 7 6 5 4 3 2 1

A A

| SCANBOLT® | |
|------------------|-------------------|
| DESCRIPTION | RIPPER PLATE TYPE |
| MACHINE CLASS | 3.0 - 6.0 TON |
| WEIGHT | 85 Kg |
| HEAPED CAPACITY | N/A |